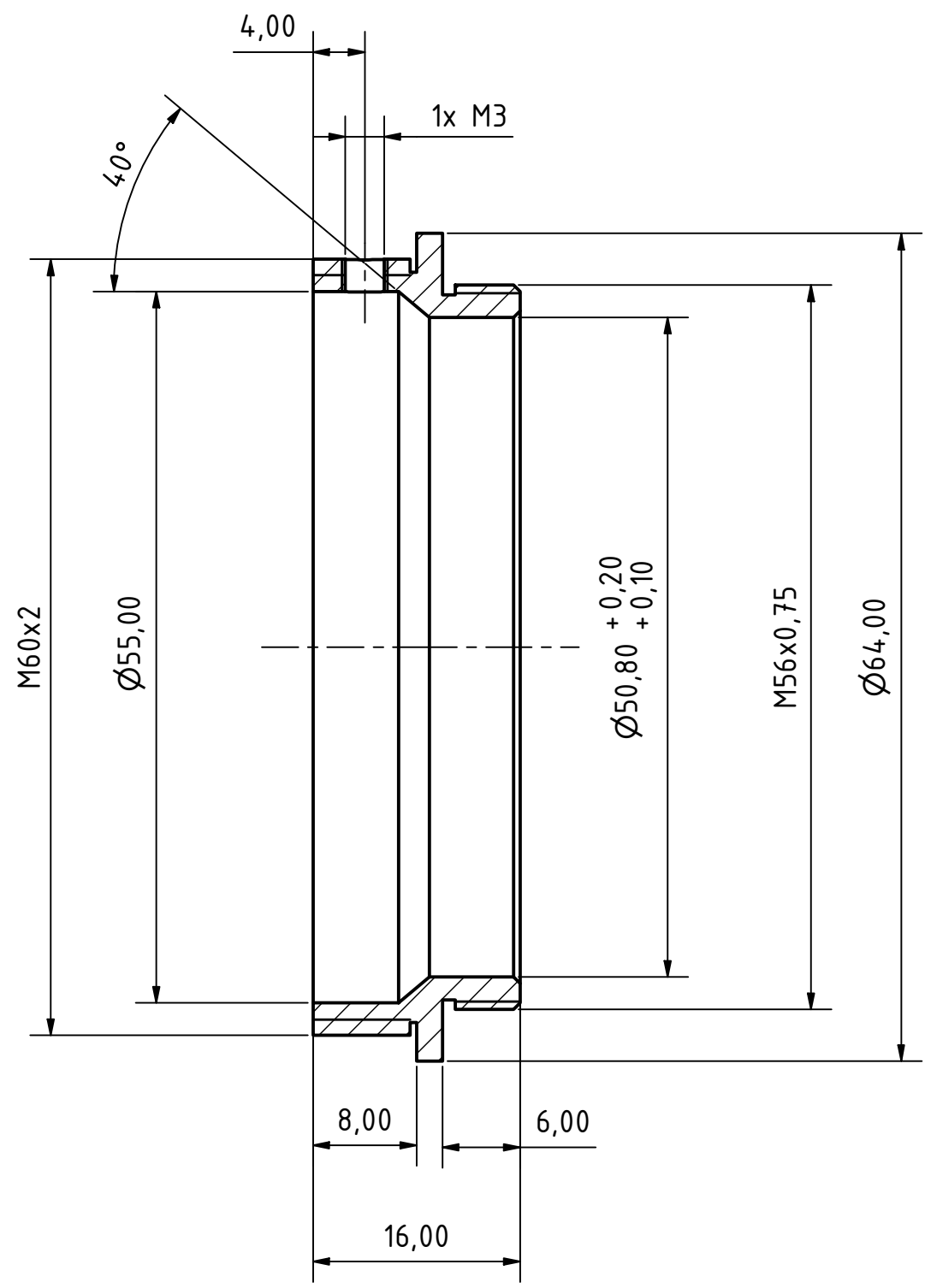


Aluminium anodized black



| | | | | | | | | |
|--------|------------|-------|------|--------------|------------|--------------------------------------|--|------------|
| | | | | | | | | |
| | | | | | | | | |
| | | | | Datum | Name | Lacerta GmbH | | |
| | | | | Gezeichnet | 26.06.2020 | | | Teppan Chr |
| | | | | Kontrolliert | | | | |
| | | | | Norm | | | | |
| | | | | | | CenterLock_Tubusgehäuse ¹ | | |
| Status | Änderungen | Datum | Name | | | A3 | | |