

Mewlon-CR

μ -300 Corrector
Instruction Manual

TAKAHASHI SEISAKUSHO Ltd.

41-7 Oharacho Itabashi Tokyo 174-0061, JAPAN
PHONE: +81-3-3966-9491 FAX: +81-3-3966-9524

TAKAHASHI

Thank you for your purchase of the Takahashi Mewlon CR corrector. This newly designed unit corrects for coma and flattens the field of the Mewlon-300 to cover a 35mm frame with 15 micron stars. The Mewlon CR Corrector is designed to be a visual as well as imaging device.

In order to install and use the Mewlon CR corrector to the maximum of its capabilities, please read this manual carefully to be informed on how to install the unit and what are its capabilities before installing it.

⚠ WARNING

NEVER ATTEMPT TO OBSERVE THE SUN THROUGH THIS TELESCOPE WITHOUT A PROPER DEDICATED GLASS SOLAR FILTER. DIRECT VIEWING WILL CAUSE INSTANT BLINDNESS. KEEP CHILDREN AWAY FROM THE INSTRUMENT DURING THE DAY.

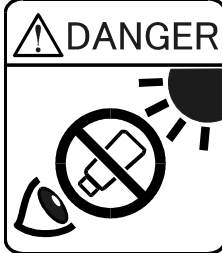
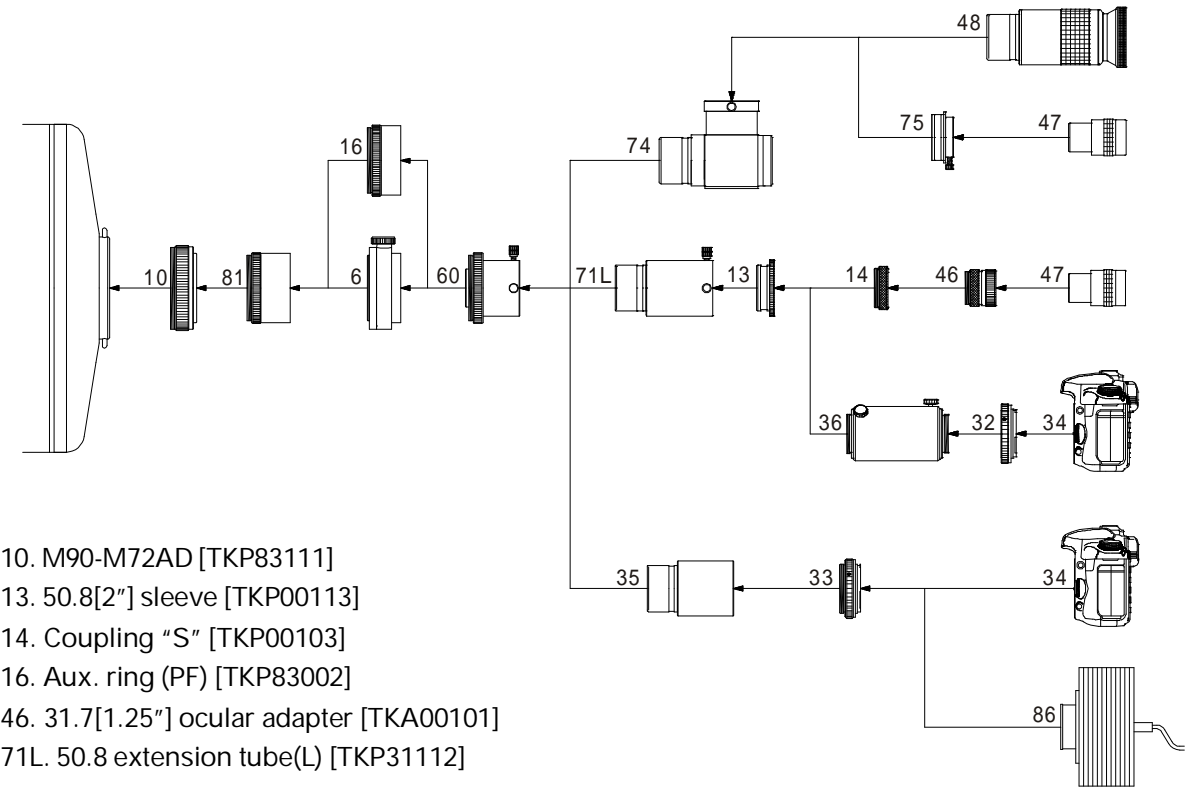


Table of Contents

Warning	2
Carton Contents	3
Specifications	3
How to install the corrector	4- 5
System Chart	6- 7

Extender CR 1.5x System Chart



- 10. M90-M72AD [TKP83111]
- 13. 50.8[2"] sleeve [TKP00113]
- 14. Coupling "S" [TKP00103]
- 16. Aux. ring (PF) [TKP83002]
- 46. 31.7[1.25"] ocular adapter [TKA00101]
- 71L. 50.8 extension tube(L) [TKP31112]

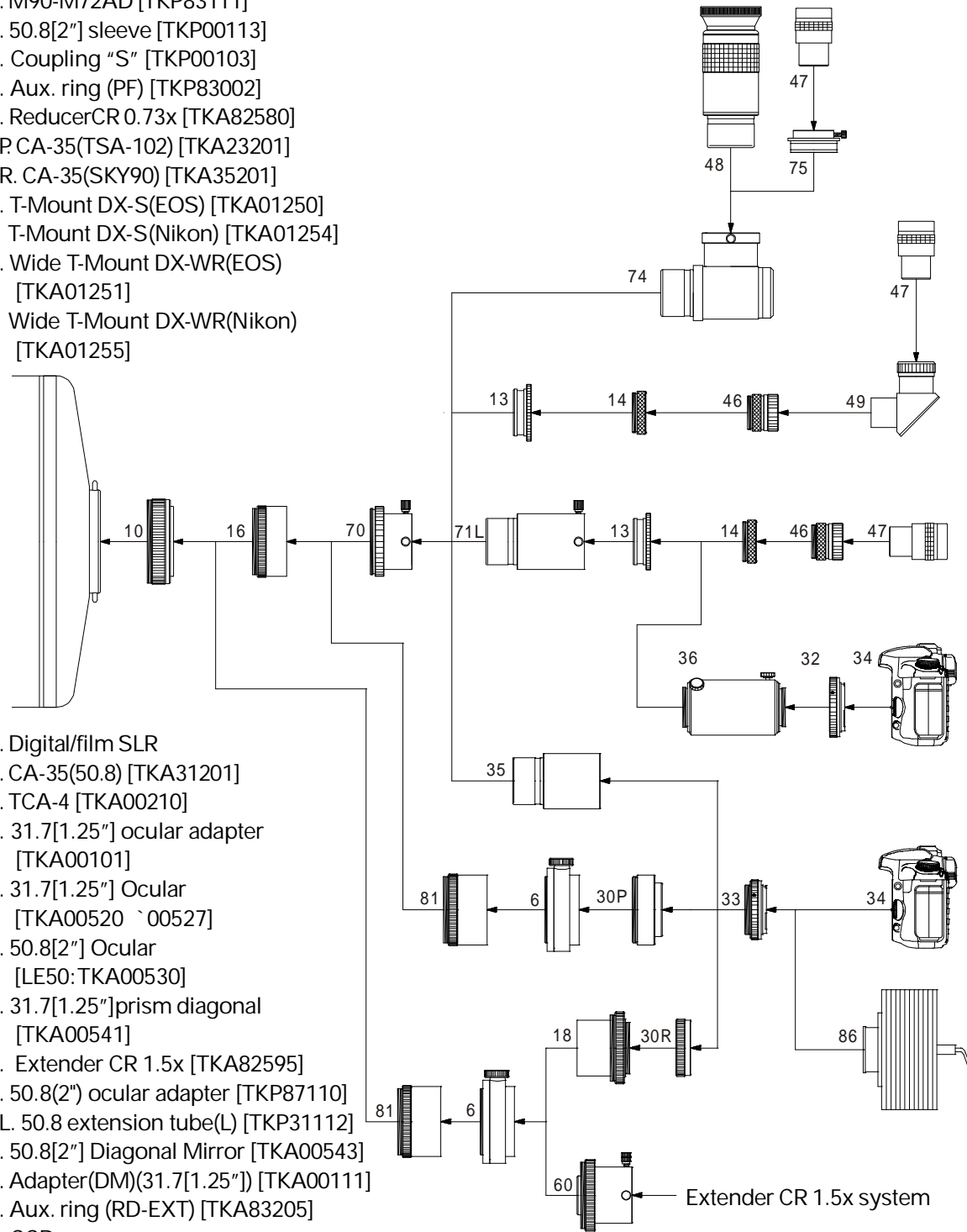
Optional Parts

- 6. CAA(TSA-102) [TKA23200]
- 32. T-Mount DX-S(EOS) [TKA01250]
T-Mount DX-S(Nikon) [TKA01254]
- 33. Wide T-Mount DX-WR(EOS) [TKA01251]
Wide T-Mount DX-WR(Nikon) [TKA01255]
- 34. Digital/film SLR
- 35. CA-35(50.8) [TKA31201]
- 36. TCA-4 [TKA00210]
- 47. 31.7[1.25"] Ocular [TKA00520 `00527]
- 48. 50.8[2"] Ocular [LE50:TKA00530]
- 60. Extender CR 1.5x [TKA82595]
- 74. 50.8[2"] Diagonal Mirror [TKA00543]
- 75. Adapter(DM)(31.7[1.25"]) [TKA00111]
- 81. Aux. ring (RD-EXT) [TKA83205]
- 86. CCD camera

System Chart

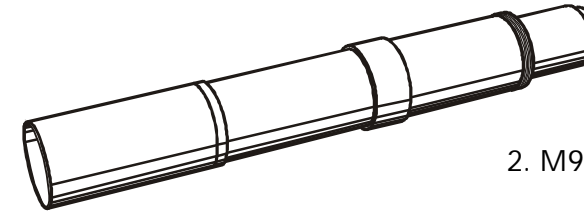
Photo/Visual System Chart

- 6. CAA(TSA-102) [TKA23200]
- 10. M90-M72AD [TKP83111]
- 13. 50.8[2"] sleeve [TKP00113]
- 14. Coupling "S" [TKP00103]
- 16. Aux. ring (PF) [TKP83002]
- 18. ReducerCR 0.73x [TKA82580]
- 30P. CA-35(TSA-102) [TKA23201]
- 30R. CA-35(SKY90) [TKA35201]
- 32. T-Mount DX-S(EOS) [TKA01250]
T-Mount DX-S(Nikon) [TKA01254]
- 33. Wide T-Mount DX-WR(EOS) [TKA01251]
Wide T-Mount DX-WR(Nikon) [TKA01255]
- 34. Digital/film SLR
- 35. CA-35(50.8) [TKA31201]
- 36. TCA-4 [TKA00210]
- 46. 31.7[1.25"] ocular adapter [TKA00101]
- 47. 31.7[1.25"] Ocular [TKA00520 `00527]
- 48. 50.8[2"] Ocular [LE50:TKA00530]
- 49. 31.7[1.25"]prism diagonal [TKA00541]
- 60. Extender CR 1.5x [TKA82595]
- 70. 50.8(2") ocular adapter [TKP87110]
- 71L. 50.8 extension tube(L) [TKP31112]
- 74. 50.8[2"] Diagonal Mirror [TKA00543]
- 75. Adapter(DM)(31.7[1.25"]) [TKA00111]
- 81. Aux. ring (RD-EXT) [TKA83205]
- 86. CCD camera



Carton contents

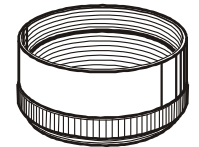
1. Mewlon CR correcting unit



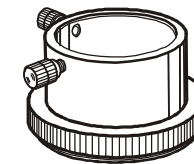
2. M90-M72 Adapter



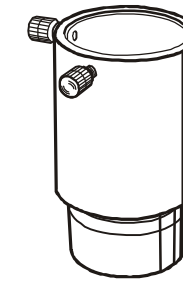
3. Prime focus aux. ring



4. 50.8 (2") adapter



5. 50.8 (2") Extension tube



6. Instruction manual



SPECIFICATIONS

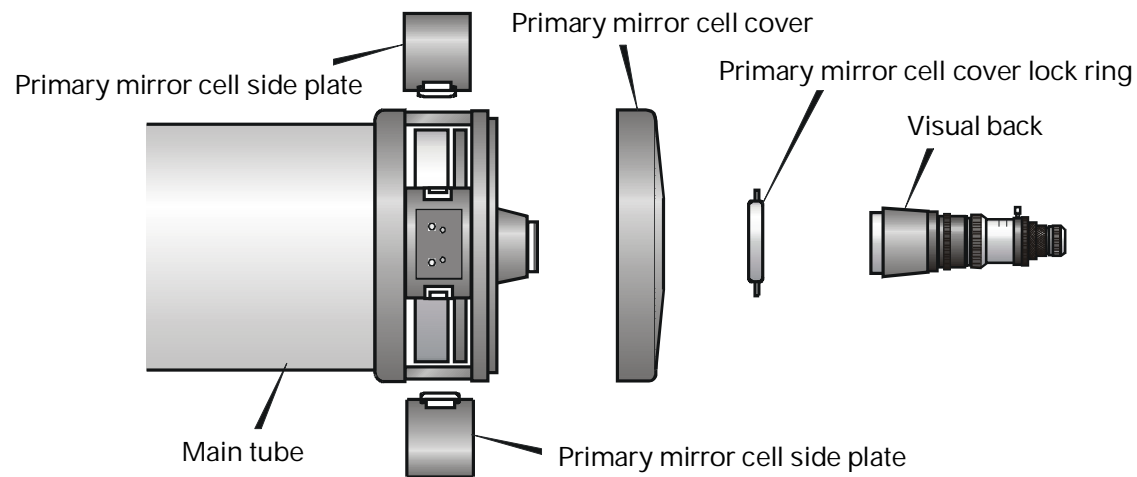
Mewlon-300CR corrector	
Effective aperture	300mm
Effective focal length	2960mm
Effective focal ratio	f/9.9
Image circle	40mm

Reducer-CR 0.73x	
Effective focal length	2160mm
Effective focal ratio	f/7.2
Image circle	35mm

Extender-CR 1.5x	
Effective focal ratio	4465mm
Effective focal ratio	f/14.9
Image circle	44mm

Installation procedures

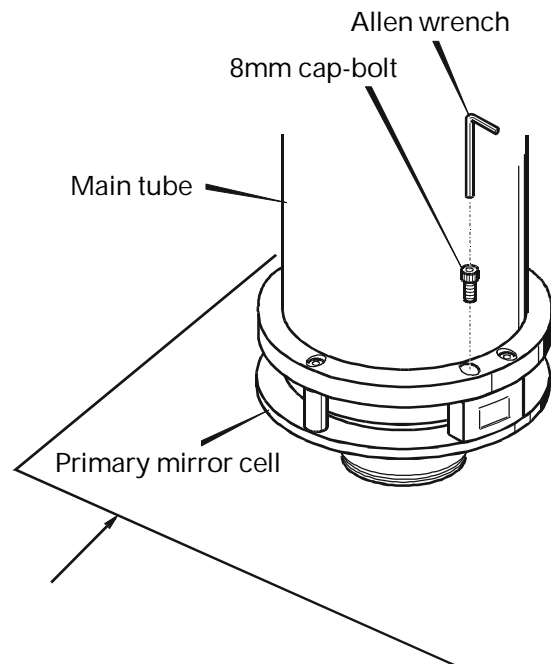
Before installing the Mewlon-300CR corrector, make certain that the telescope is collimated. Collimation is a requirement for installation of the corrector unit. The installation process is straight forward and simple, but great care must be taken with the surface of the main mirror as it is briefly exposed while the corrector is attached.



1. Remove the visual back and the lock ring. Then, detach the primary mirror cell cover and side plates.

2. Use a sufficiently large and level table for the process. It is best to cover the table with a clean cloth. Stand the M-300 on its nose as shown in the illustration.

3. Remove the 8mm cap-bolt set in 6 positions with the Allen wrench provided, be careful so that the main tube does not fall down.



4. Carefully remove the mirror cell from the tube. It would be best to have a helper to hold the tube firmly while the mirror cell is lifted out, while making certain that the No.1 and 2 baffles clear the tube.

Caution: The cell is heavy so it should be lifted out with great care. This is a confined space and the lifting procedure should be slow.

5. Turn the No.1 baffle, holding the bottom of it, and remove the baffle from the cell. Refer to the illustration below at the left.

6. Install the M-300 CR unit, screwing it firmly in place. Refer to the illustration below at the right. Make certain that the CR unit is firmly installed in place before attaching the main tube on the cell. Now the installation of the CR unit has been completed.

