

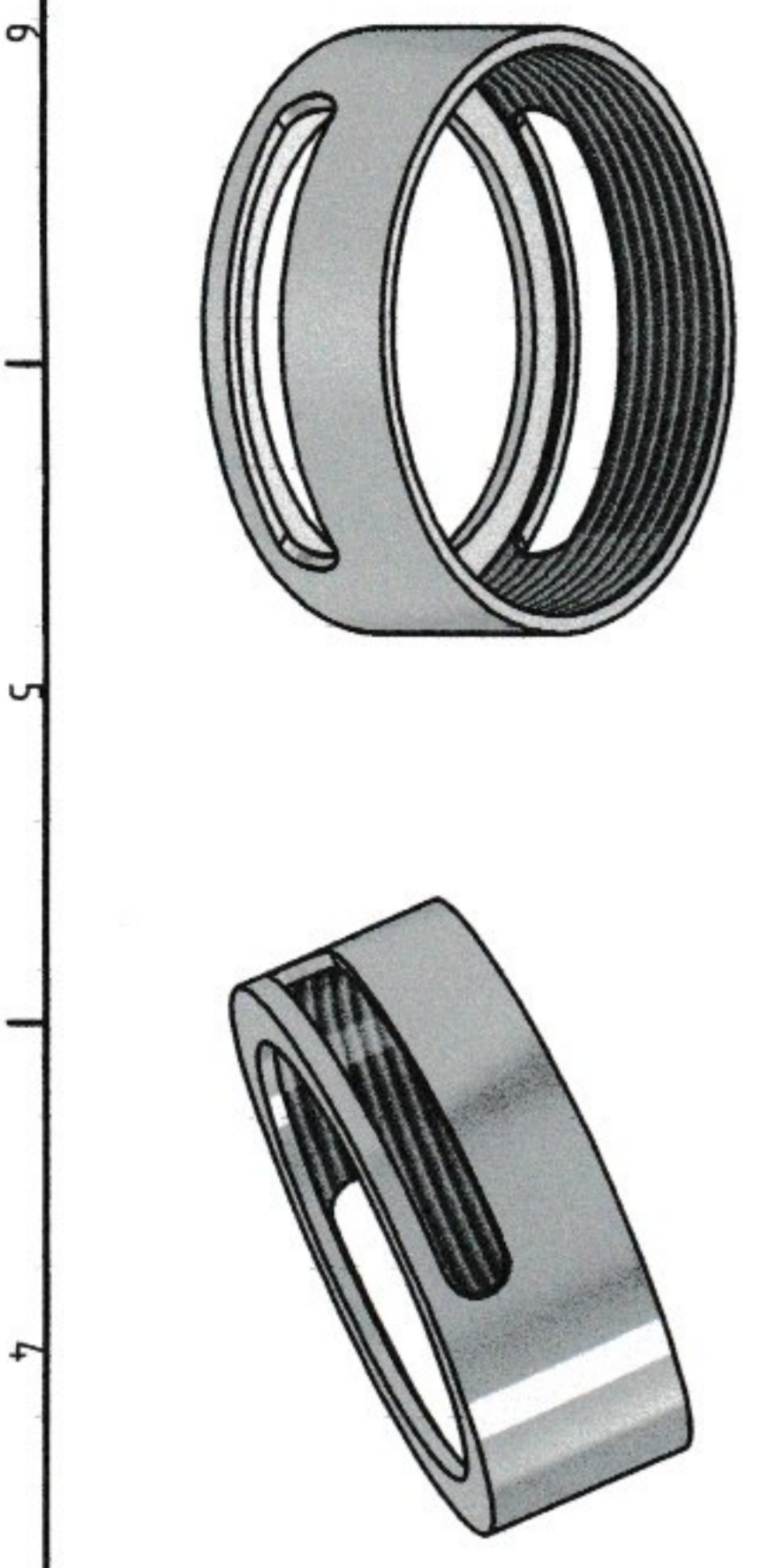
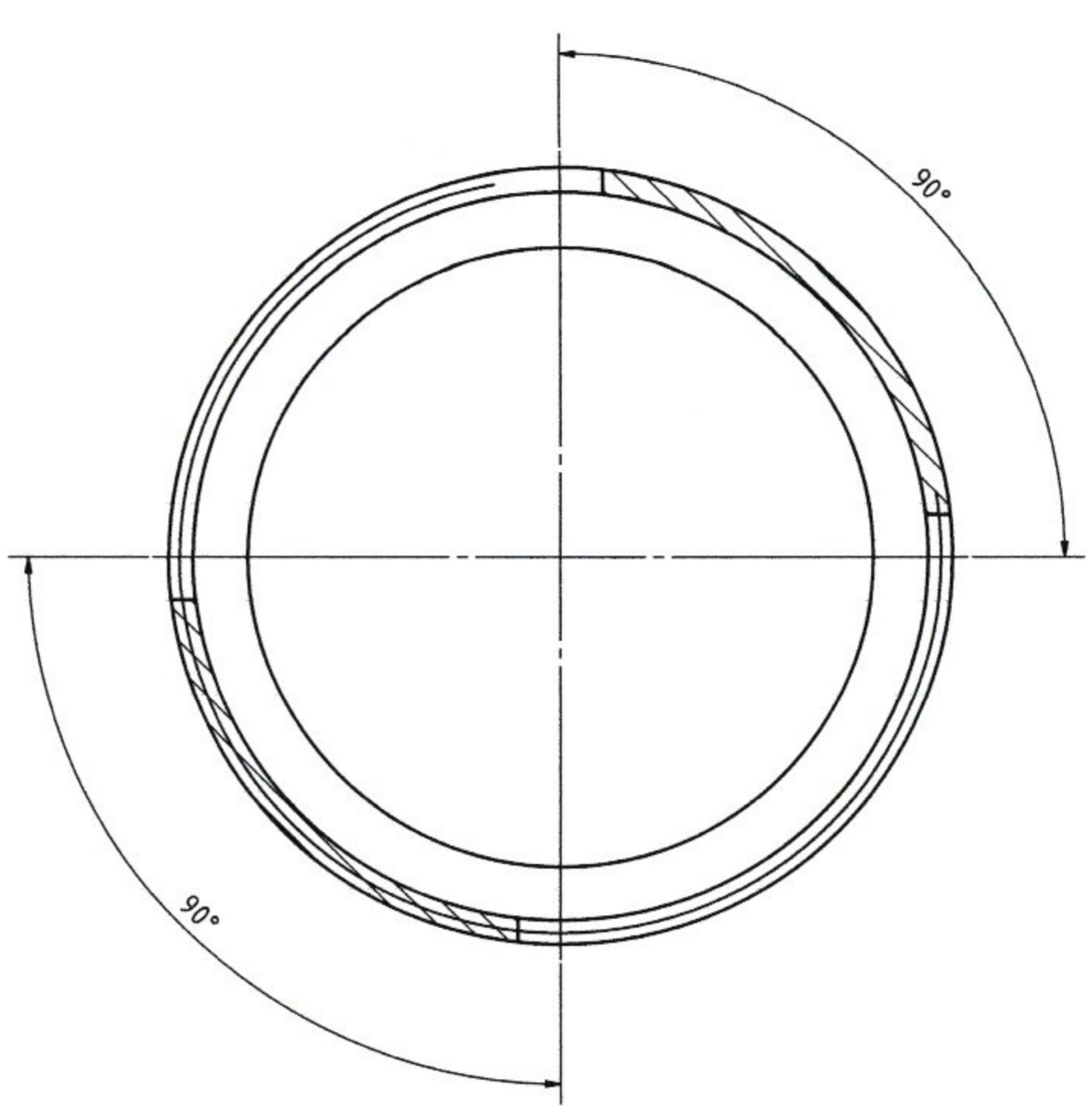
Part 2
 "Center lock"
 (5 objects)

pos/set

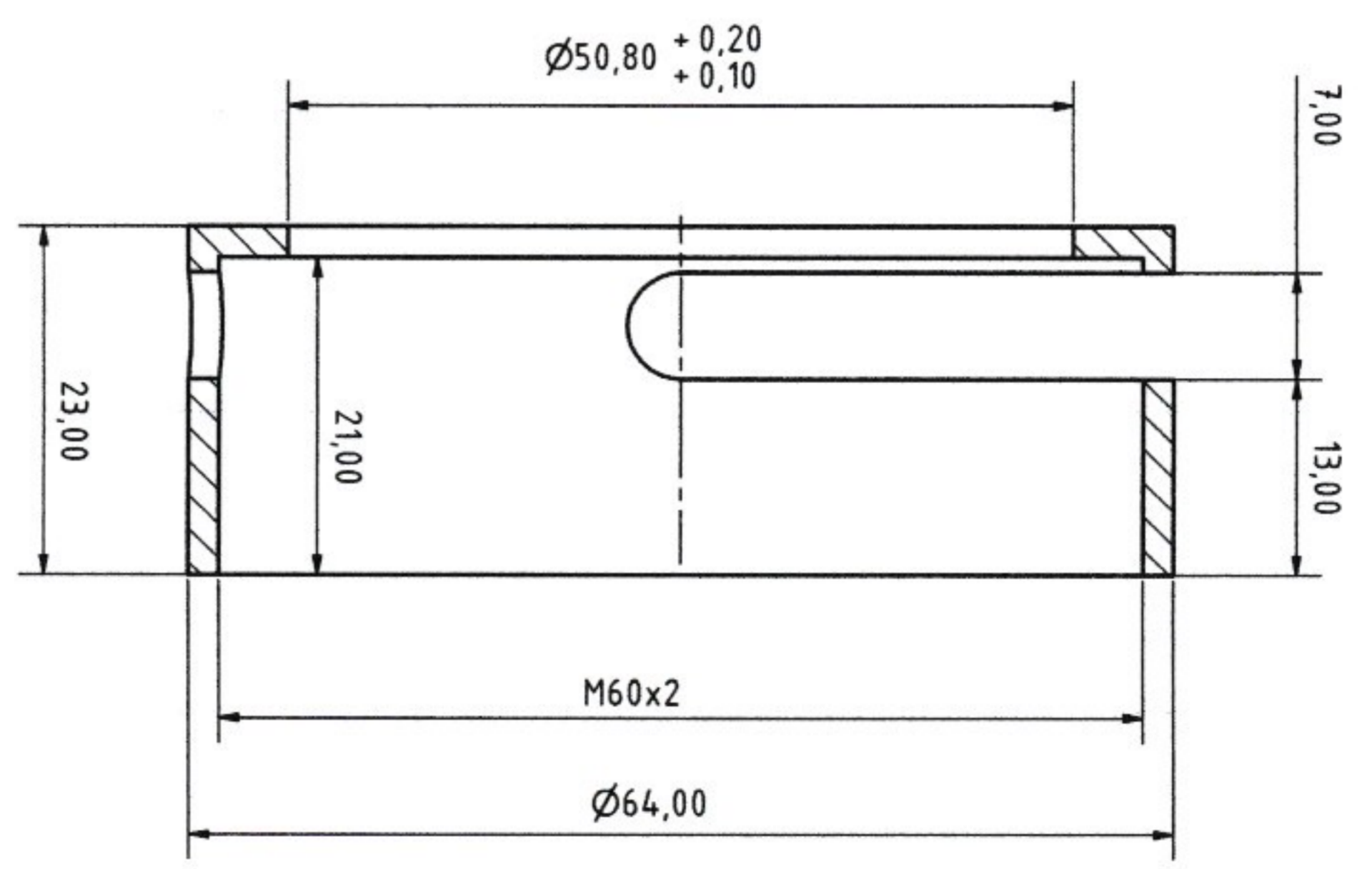
| OBJEKT | ANZAHL | BAUTEILNUMMER | BESCHREIBUNG |
|--------|--------|-----------------------|---|
| 1 | 1 | Centerlock Gehäuse V2 | |
| 2 | 1 | Kapitwheel V2 | |
| 3 | 1 | C-Ring V2 | |
| 4 | 1 | Centerlock_Tubusgehäu | |
| 5 | 1 | Aussenring V2 | |
| 7 | 1 | DIN 913 - M3 x 4 | Gewindestift |
| 8 | 2 | ISO 7380-1 - M4 x 8 | Innensechskant-Rundkopfschraube - Produktklasse A |

| Titel | Autor | Gezeichnet | Datum | Name |
|-------|-------|------------|------------|------------|
| | | | 26.05.2020 | Trappan DT |

Lacerta GmbH
 CenterlockNeu_2Zoll_V2_1



Alu anodized black

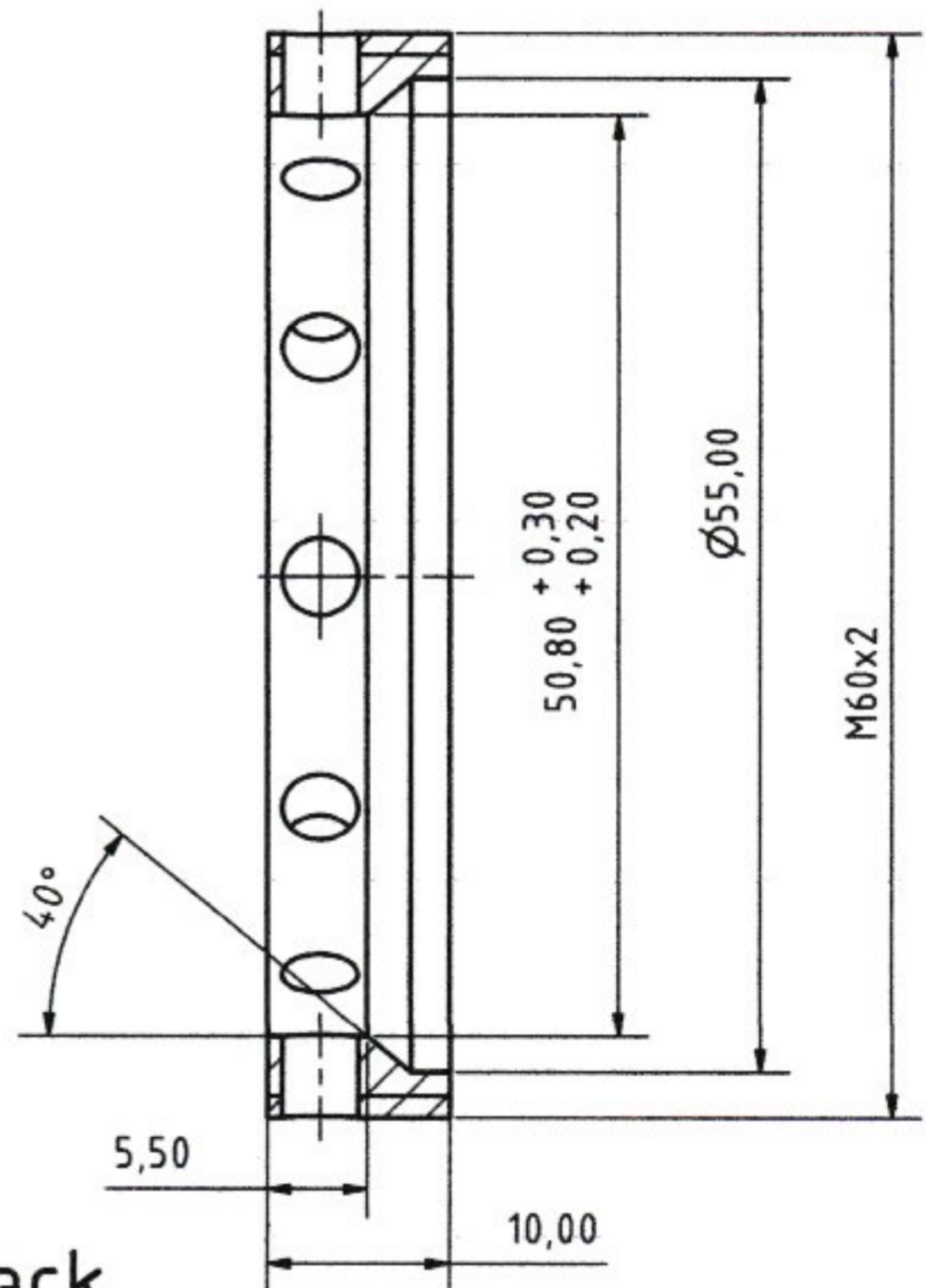
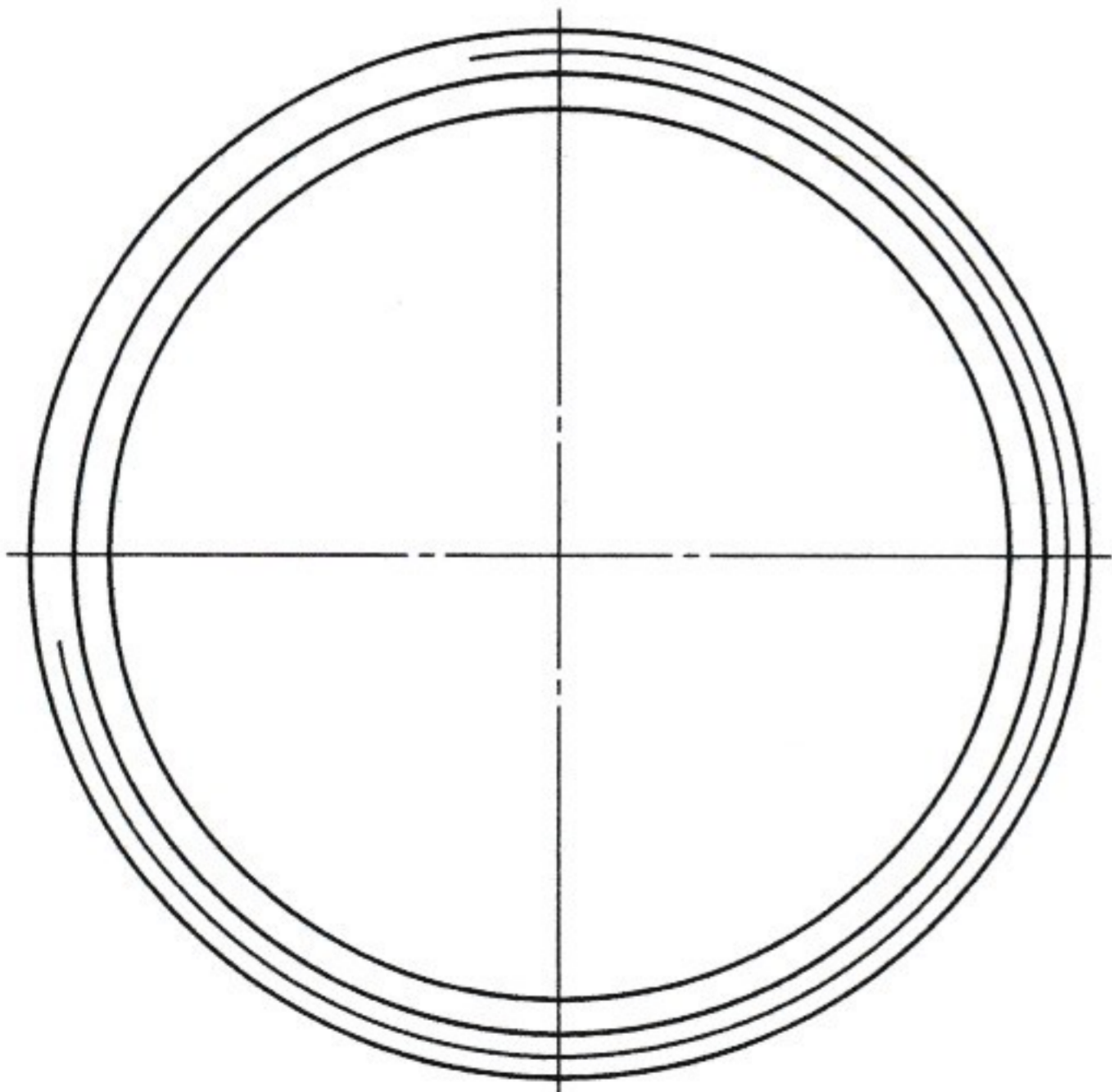
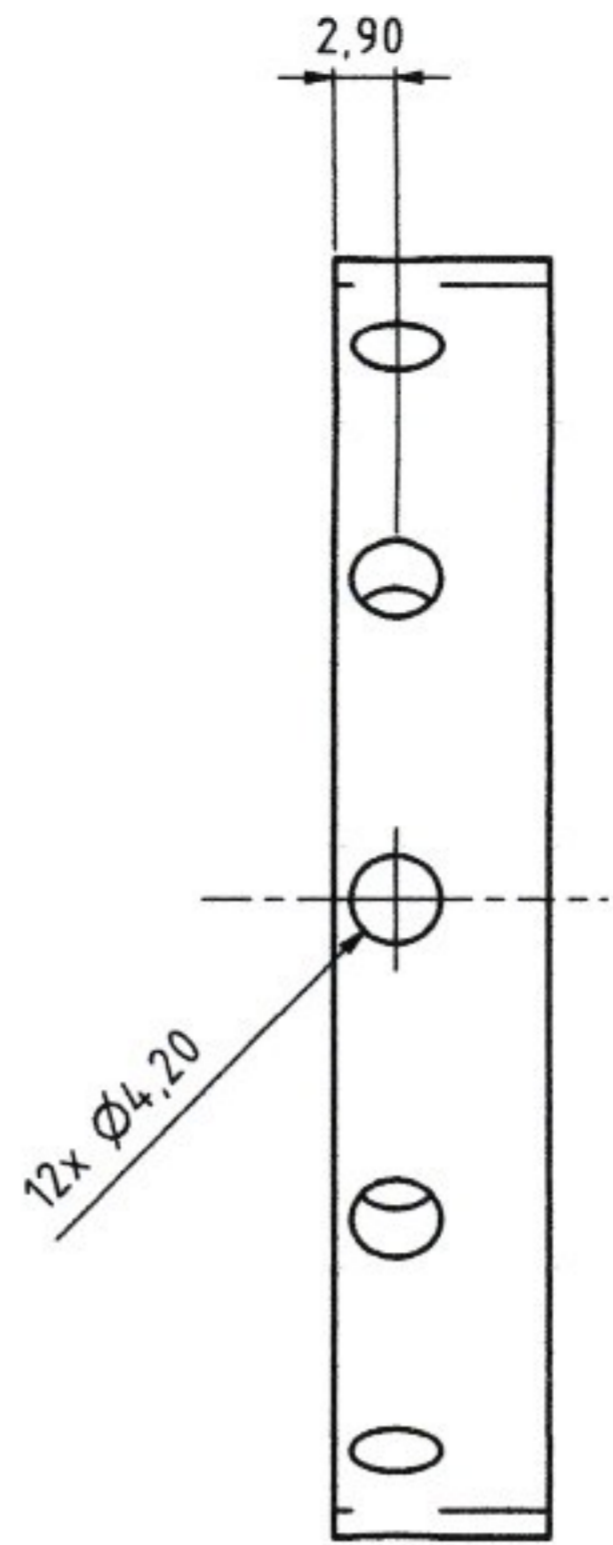
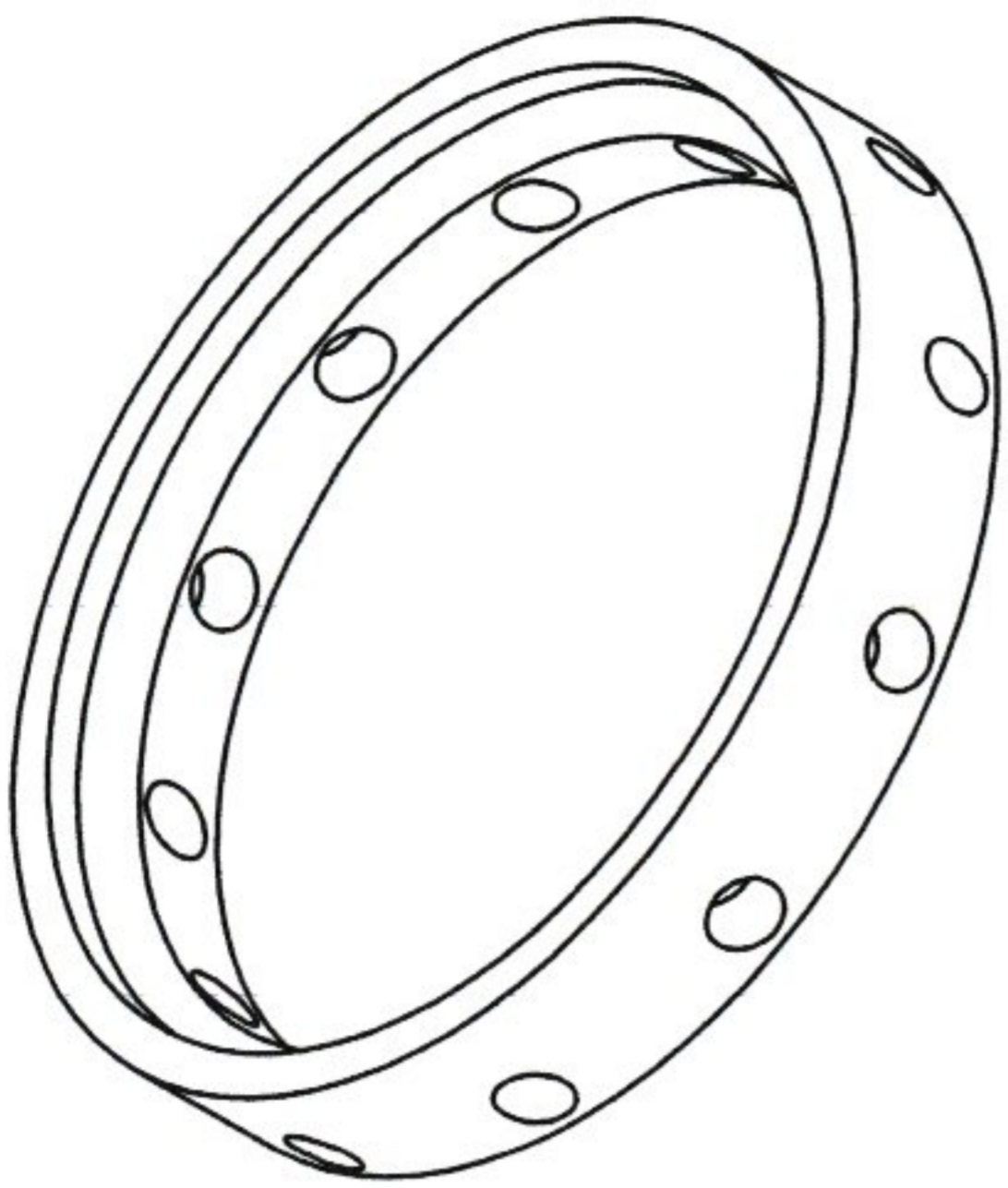


| | | | | | | | | | | | | | | | |
|--------|--|---------------|--|-------|--|------|--|------------|------------|------------|--|--------------|--|------|--|
| Status | | Anforderungen | | Datum | | Name | | Datum | Name | Gezeichnet | | Kontrolliert | | Hier | |
| | | | | | | | | 26.06.2020 | Teppan Chr | | | | | | |
| | | | | | | | | | | | | | | | |
| | | | | | | | | | | | | | | | |
| | | | | | | | | | | | | | | | |
| | | | | | | | | | | | | | | | |
| | | | | | | | | | | | | | | | |
| | | | | | | | | | | | | | | | |
| | | | | | | | | | | | | | | | |
| | | | | | | | | | | | | | | | |
| | | | | | | | | | | | | | | | |

Lacerta GmbH
CenterLock_Gehäuse_V2 1

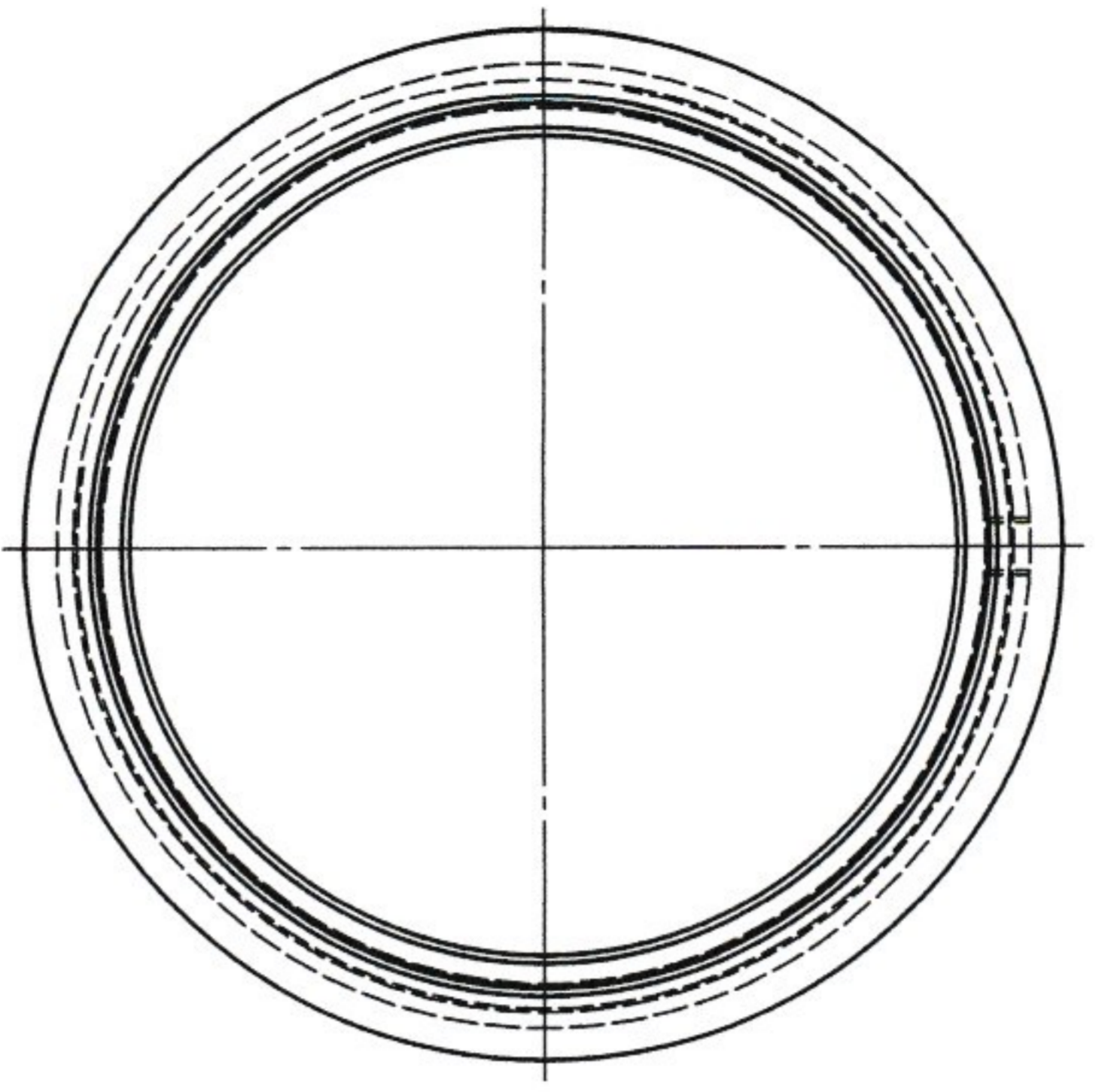
100 pcs

A3

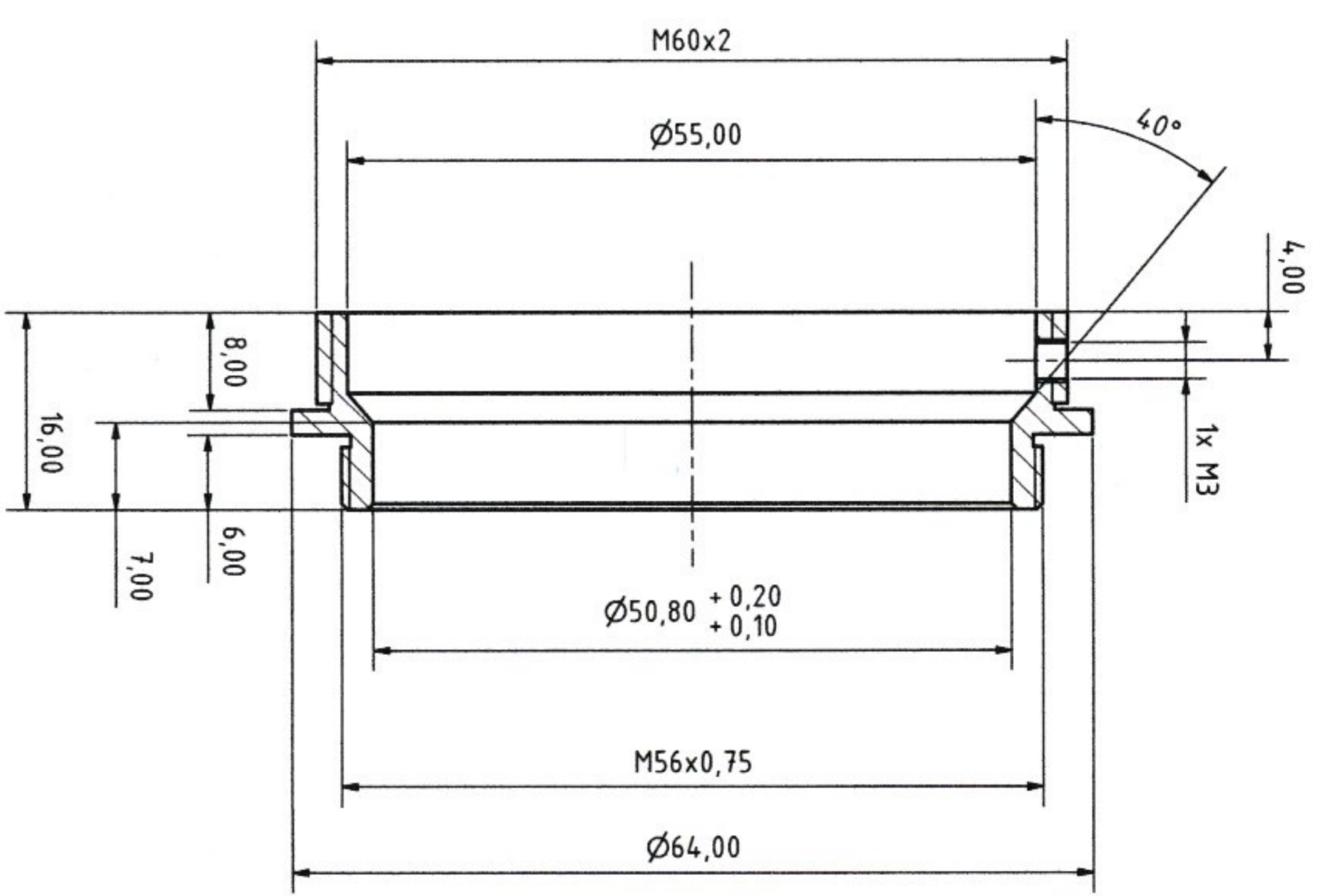


Alu anodized black

| | | | | | | | |
|--------|------------|-------|------|--|--|--------------------|--|
| | | | | | | | |
| | | | | | | <i>100 pcs</i> | |
| | | | | | | Lacerta GmbH | |
| | | | | | | CLNeu_KaptWheel_V2 | |
| | | | | | | 1 | |
| | | | | | | A3 | |
| Status | Anderungen | Datum | Name | | | | |



Aluminium anodized black



| | | | | | | | | |
|--------|------------|-------|------|-------|------|---|---|--|
| Status | Änderungen | Datum | Name | Datum | Name | Gezeichnet: 26.06.2020 Geprüft: Teppan Ehr Kontrolliert: Unters: | Datum: 26.06.2020 Name: Teppan Ehr | |
| | | | | | | | | |
| | | | | | | | | |
| | | | | | | | | |
| | | | | | | | 100 pcs Lacerta GmbH CenterLock_Tubusgehäuse1 | |
| | | | | | | | A3 | |

