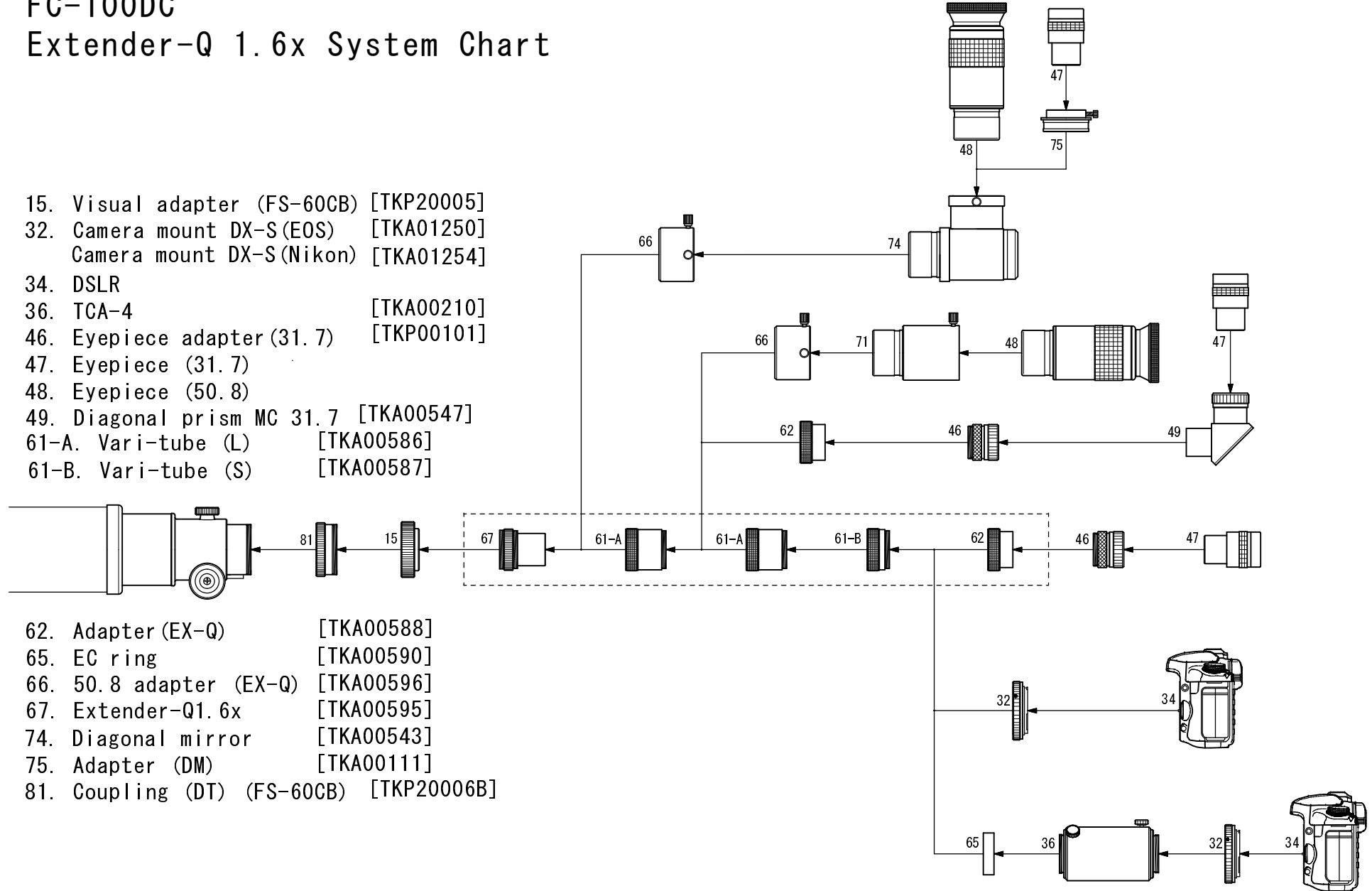


FC-100DC Extender-Q 1.6x System Chart



- 15. Visual adapter (FS-60CB) [TKP20005]
- 32. Camera mount DX-S (EOS) [TKA01250]
Camera mount DX-S (Nikon) [TKA01254]
- 34. DSLR
- 36. TCA-4 [TKA00210]
- 46. Eyepiece adapter (31.7) [TKP00101]
- 47. Eyepiece (31.7)
- 48. Eyepiece (50.8)
- 49. Diagonal prism MC 31.7 [TKA00547]
- 61-A. Vari-tube (L) [TKA00586]
- 61-B. Vari-tube (S) [TKA00587]

- 62. Adapter (EX-Q) [TKA00588]
- 65. EC ring [TKA00590]
- 66. 50.8 adapter (EX-Q) [TKA00596]
- 67. Extender-Q1.6x [TKA00595]
- 74. Diagonal mirror [TKA00543]
- 75. Adapter (DM) [TKA00111]
- 81. Coupling (DT) (FS-60CB) [TKP20006B]