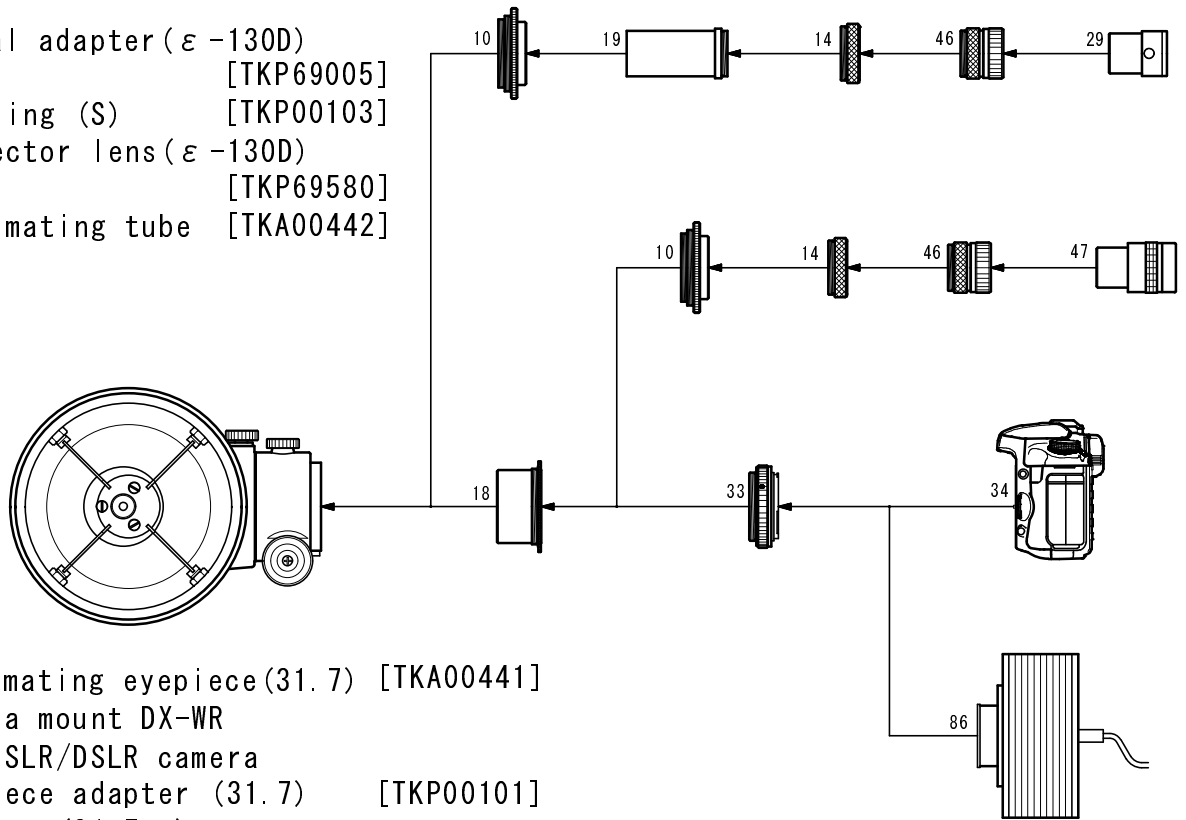


# ε - 1 3 0 D

## Photo/Visual System Chart

- 10. Visual adapter (ε -130D) [TKP69005]
- 14. Coupling (S) [TKP00103]
- 18. Corrector lens (ε -130D) [TKP69580]
- 19. Collimating tube [TKA00442]



- 29. Collimating eyepiece (31.7) [TKA00441]
- 33. Camera mount DX-WR
- 34. 35mm SLR/DSLR camera
- 46. Eyepiece adapter (31.7) [TKP00101]
- 47. Eyepiece (31.7mm)
- 86. CCD camera

※Some 35mm SLR/DSLR cameras cannot be connected.